

Produal Proxima® WTR - wireless room transmitter



Produal Proxima® WTR wireless transmitters are for detecting indoor temperature, humidity and CO₂ levels. The transmitters can also have a multifunctional button and display. Some functions like CO₂ measurement require 24 V supply voltage. Transmitters are compatible with the Produal Proxima® MESH wireless network.

The information is transmitted to the base unit according to the base unit poll interval or when the information changes. You can set the smallest change in the value that is send to the base unit.

The wireless network needs one base unit. Commissioning is done by using Produal MyTool® smart phone application.

Technical specifications

Property	Value
Supply	
WTR models	3,6 V lithium battery
WTR24 models	24 Vac/dc
Network frequency	2,4 Ghz
Network range (maximum distance between devices)	up to 100 m indoors / up to 200 m in open air
Temperature measurement	
Range	0...50 °C
Accuracy	±0,5 °C (25 °C)
Humidity measurement (RH models)	
Range	0...100 %rH
Accuracy	±3 % rH (25 °C)
CO ₂ measurement (CO2 models)	
Range	0...2000 ppm
Accuracy	typ. ±40 ppm ±3 % of value
Time constant	< 2 min
Commissioning tool	Produal MyTool®
Operating conditions	
Temperature	0...50 °C
Humidity	0...85 %rH (non-condensing)

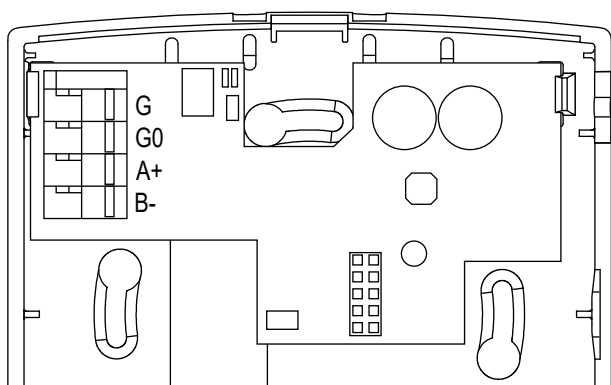


Property	Value
Wiring terminals (WTR24 models)	1,5 mm ² , spring terminals
Housing	PC plastic, IP20
Mounting	on the wall surface or on the standard flush mounting box (60 mm hole distance)
Dimensions (w x h x d)	97 x 97 x 33 mm

Wiring WTR24

The WTR24 models have connectors for 24 Vac/dc supply.

CAUTION: Device wiring and commissioning can only be carried out by qualified professionals. Always make the wirings while the power is switched off.



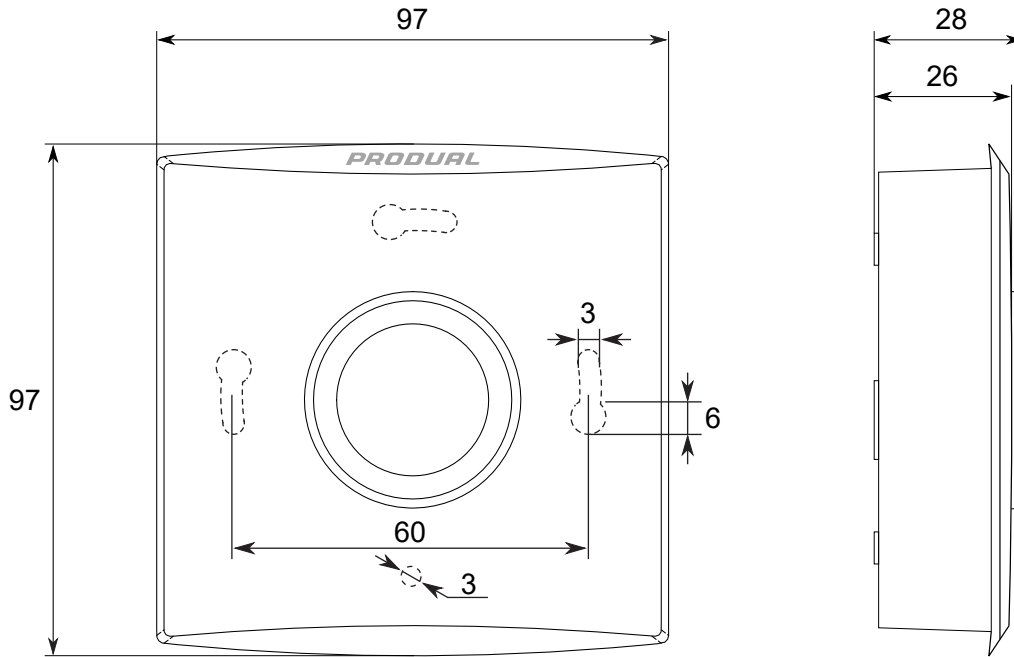
G	24 Vac/dc supply
G0	Ground
A+	Not in use.
B-	

Ordering information

		Type	0	1	2	3	4	5	6
0	Product family		5401					0	0
1	Product type	Wireless transmitter, battery powered	WTR	3					
		Wireless transmitter, 24 Vac supply	WTR24	4					
2	Body colour	White			W				
		Black	B		B				
3	Display	No display				0			
		Display + menu button	-D			3			
		Display + man in house button	-DM			4			
4	Additional measurements	No additional measurements					0		
		Humidity measurement	-RH				H		
		CO ₂ measurement (24 Vac supply needed)	-CO2					C	
		Humidity and CO ₂ measurement (24 Vac supply needed)	-CO2-RH					2	

For example, ordering a black wireless transmitter with CO₂ measurement and display (+ menu button): The product type is WTR24B-D-CO2 and the product number is 54014B3C00.

Dimensions



Supported standards and directives

Standard	Description
2014/30/EU	Electromagnetic Compatibility (EMC).
2014/35/EU	Low Voltage Directive (LVD)
2014/53/EU	Radio Equipment Directive (RED)
2011/65/EU	Restriction of Hazardous Substances (RoHS2) Directive.
2000/299/EC	Classification of radio equipment: Class 1, Wideband data transmission systems (Subclass 22)
EN 60950	Safety of information technology equipment
EN 300 328 V2.1.1	Wideband transmission systems; Data transmission equipment operating in the 2,4 GHz ISM band and using wide band modulation techniques; Harmonised Standard covering the essential requirements of article 3.2 of directive 2014/53/EU
EN 301 489-1 V2.1.1	Electromagnetic Compatibility (EMC) standard for radio equipment and services; Part 1: Common technical requirements.
EN 301 489-17 V2.1.1	Electromagnetic Compatibility (EMC) standard for radio equipment and services; Part 17: Specific conditions for Broadband Data Transmission systems
EN 61000-6-2:2006	Electromagnetic compatibility (EMC) - Part 6-2: Generic standards - Immunity for industrial environments.
EN 61000-6-3:2007/A1:2011	Electromagnetic compatibility (EMC) - Part 6-3: Generic standards - Emission standard for residential, commercial and light-industrial environments.